

GASTA UNIT OF IDEX CORPORATION
BENTON HARBOR, MI U.S.A.GAST MANUFACTURING INC.
A Unit of IDEX Corporation
Post Office Box 97
Benton Harbor, Michigan
Ph: 269/926-6171
Fax: 269/925-8288

PART NUMBER:

RTD678A

REV.

A

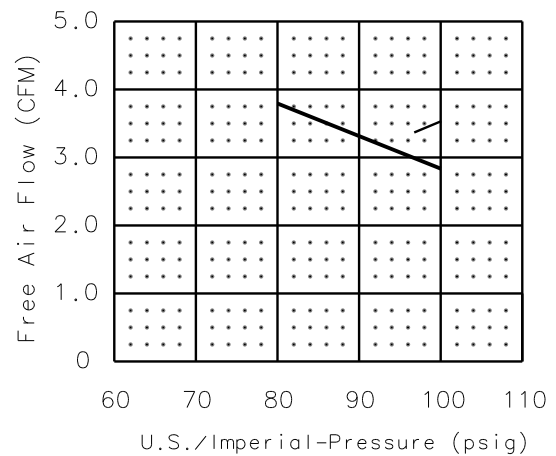
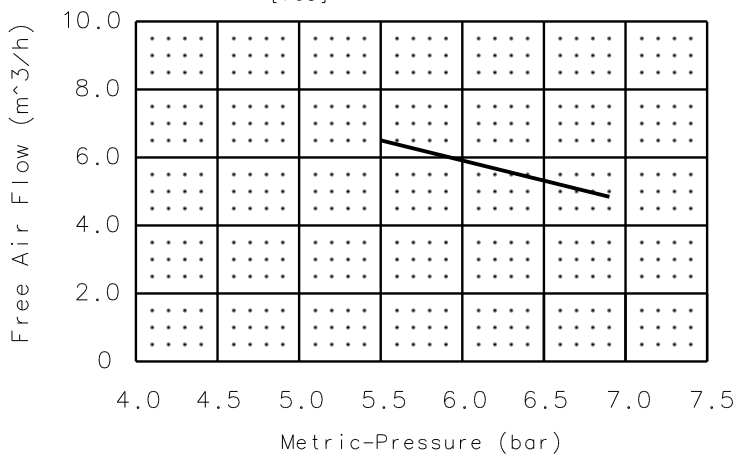
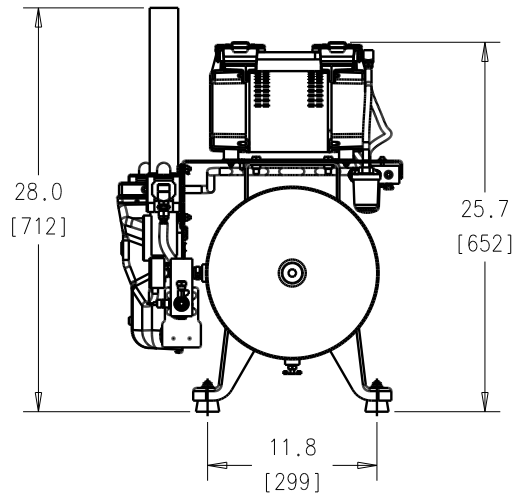
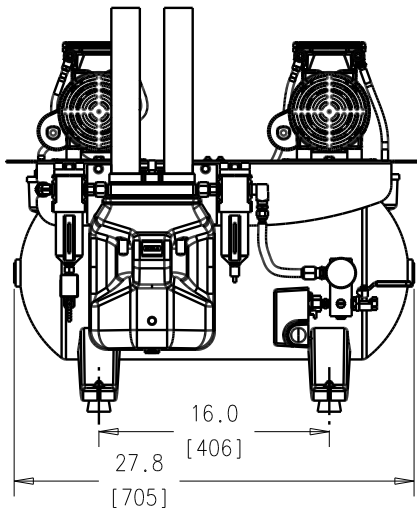
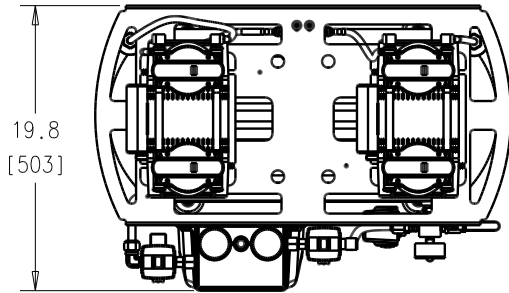
NOTES:

1. ALL DIMENSIONS ARE FOR REF. USE ONLY.
2. PRODUCT DIMENSIONS: U.S. IMPERIAL (inches) METRIC [mm]
3. * = TECHNICAL DATA SUBJECT TO CHANGE WITHOUT NOTICE.

Product Performance

THE PERFORMANCE DEFINED IS A NOMINAL APPROXIMATION FOR THE MODEL LESS ACCESSORIES, INTAKE FILTERS/EXHAUST MUFFLERS & ACCUMULATION OF CONTAMINANTS WILL DECREASE THE FLOW OF AIR.

TANK SIZE	12 GALLON
SOUND LEVEL	LESS THAN 71 db(A)
NORMAL AMBIENT	0°C - 40°C
RELATIVE HUMIDITY	10% - 90%
ENVIRONMENT	CLEAN DUST FREE
PUMP UP TIME:	LESS THAN 160 SEC.
RECOVERY TIME:	LESS THAN 50 SEC.
MAXIMUM DEW POINT:	-20°C



Product Specifications

Jun-Air PART NUMBER	MODEL NUMBER	MOTOR VOLTAGE	RPM 60 cycle	HP.	kW.	NET WT.		AMPS	CAPACITOR mfd. - volts
						lbs.	kg.		
JAir3	71R650-P72ADT-1	230	1725	1.5	1.12	200	90.7	7.5	17.5 - 450